



Datasheet

M.I.T.T.E.S engineering GmbH
Oberschaden 32
4070 Puppung
Austria

3 Phase Dry Type Transformer 2500 kVA Optional in Container with Switchgear

Manufacturer:	Pauwels
Type:	Drytype
Power:	2500 kVA
Voltage primary:	6.6 kV or 3.3kV
Tapping:	+/- 10%
Voltage sec.:	400/231 V
Frequency:	50 Hz
Group:	Dyn 11
Short circuit voltage:	6.39% +/- 10% tolerance
No-load losses/Po:	3130 W + 15% tolerance
Short-circuit losses/Pk (75):	16900 W + 15 % tolerance
Insulation class:	A
Line-up: max.	1000 m above sea level
Temperature: max.	40 °C ambient temperature
Operating mode:	DB
Cooling:	ON
Standard:	ÖVE M20
Material:	Al/Al
Execution:	In Vakuum Decay

Total weight/pcs. approx.: 5685 kg

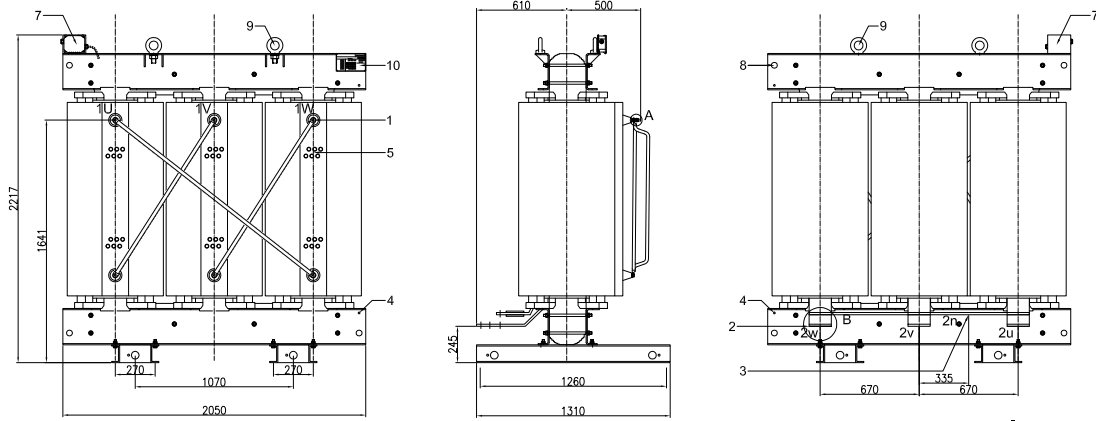
Dimensions : L= 2500mm x W= 1310mm x H= 2217mm





Datasheet

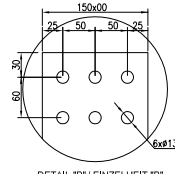
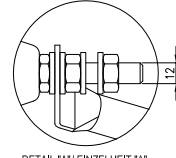
M.I.T.T.E.S engineering GmbH
 Oberschaden 32
 4070 Puppung
 Austria



* = DIMENSIONS FOR TRANSPORT / ABMESSUNGEN FÜR TRANSPORT

TOTAL WEIGHT / GESAMTGEWICHT 5685 kg

POS.	V1	V2
6 - 10	7260	3630
10 - 5	6600	3300
5 - 11	5940	2970



	OUTLINE DIMENSIONS Maßbild	Sheet / Blatt 1 / 1	04
	Drawing no. TRF25000038	Scale / Maßstab 1:1	03
Code IN TRF25000038,02	Rev. / Version A01	Scale / Maßstab -	02
Rating / Nennleistung 2500 kVA		Vector group / Schaltgruppe Dyn11	Frequency / Frequenz 50 Hz
Voltage / Spannung 6600-3300±2x2,5% / 400 V			