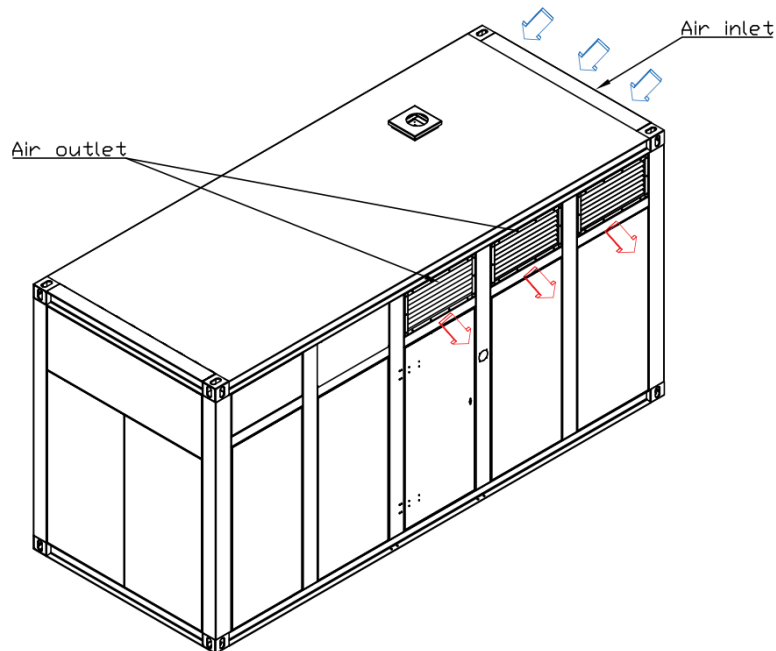




## Datasheet

M.I.T.T.E.S engineering GmbH  
Oberschaden 32  
4070 Puppung  
Austria

### Mobile Rental Genset 717 kVA



#### Performance data:

Emergency power output: 717 kVA

PRP power: 650kVA – 520 kW – 942 A, 400/230 V cos. 0.8

Super Silent 60dB(A) @7m

Diesel engine: Volvo TWD1644GE  
Generator: Meccaltee Eco40 2L4  
Control: Comap AMF25

The system is equipped with engine preheating and battery charger, so that the requested power can be reached in < 15 seconds in the event of a power failure. can be accessed.



## Datasheet

M.I.T.T.E.S engineering GmbH  
Oberschaden 32  
4070 Puppung  
Austria

### Operating options:

1. Island operation
2. Emergency power operation (built-in grid monitoring)

### Fuel tank:

1000 Liter Tank on Bord with Drip Pan

### Container features:

1. Sound-absorbing design
2. Farbay Ral 9010
3. Weight 10,000 kg
4. Height 3000 mm
5. Width 2545 mm
6. Length 6060 mm

